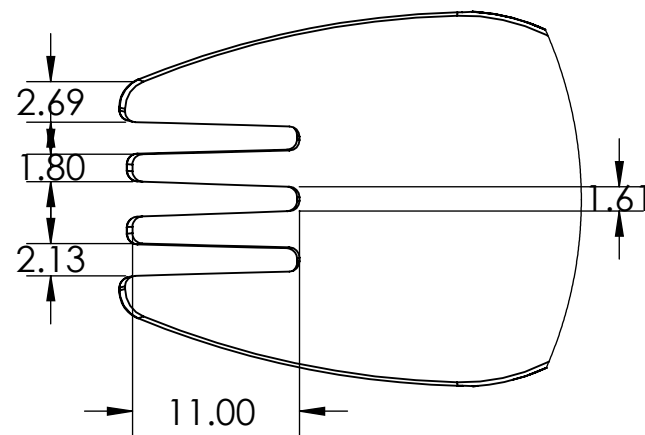
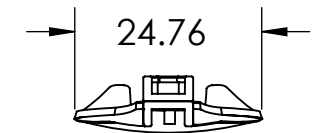
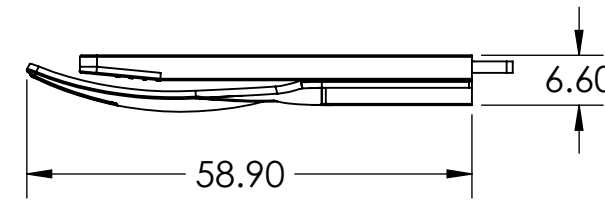
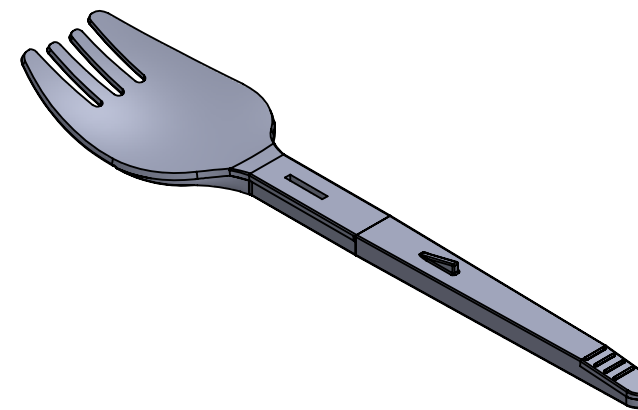


ITEM NO.	PART NUMBER	MATERIAL	WEIGHT
1	OMT-AFI-01	PP	1.38g



DETAIL A
SCALE 2 : 1



	OMNIA TECHNOLOGIES LIMITED <small>UNIT 236 - BLOCK 16W - HONG KONG SCIENCE AND TECHNOLOGY PARK - SHATIN - HONG KONG</small>		
	<small>DESCRIPTION</small> Flat and Fold condition	<small>PROJECT NAME</small> OMT-AFI-01	
	<small>CLIENT NAME</small> AllForm Iberica		
<small>DRAWING NO.</small> 1	Folding Fork		
<small>AUTHOR</small> Sam Chan			
<small>DATE</small> 7/7/2021			
<small>SCALE</small> 1:1	<small>SHEET NUMBER</small> 1	<small>REVISION NUMBER</small> OMT-AFI-01-2	<small>SHEET SIZE</small> A3